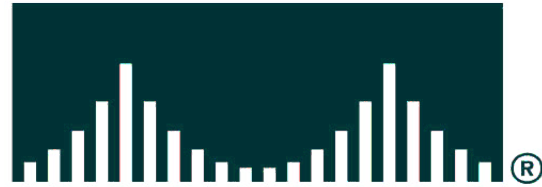


**CISCO SYSTEMS**

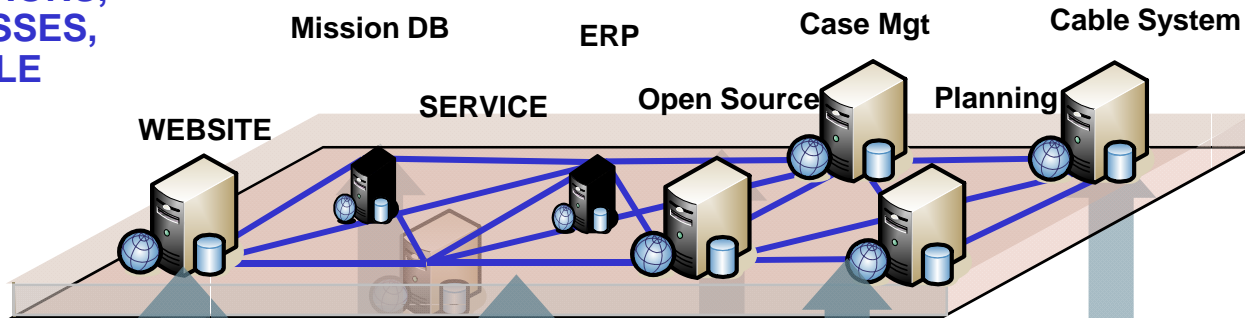


# The Cisco Service- Oriented Network Architecture and AON

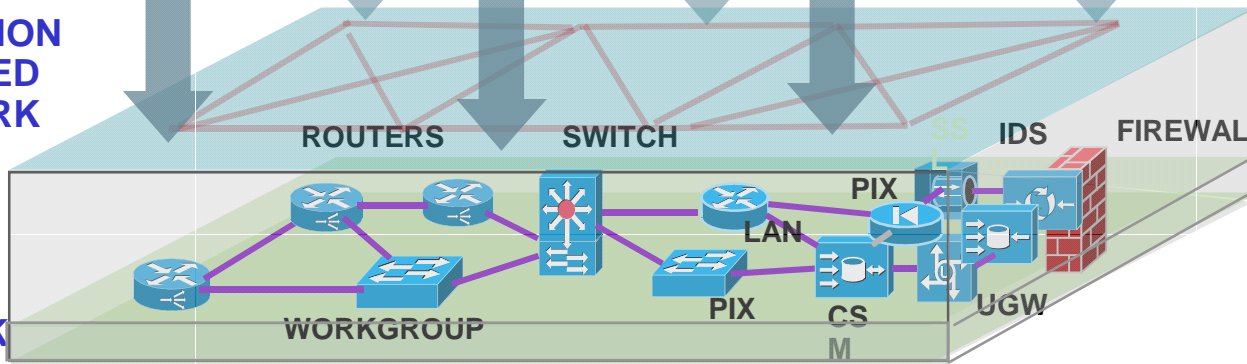
January 7, 2008

# Cisco Application-Oriented Networking (AON)

**APPLICATIONS, PROCESSES, PEOPLE**



**APPLICATION ORIENTED NETWORK**



**PACKET NETWORK**

DATA / DOMAIN CONTENT
USER INTERACTION
BUSINESS LOGIC
BUSINESS PROCESS
EVENT CAPTURE / VISIBILITY
MESSAGE SECURITY
MESSAGING / ROUTING

AVAILABILITY / QOS / FAILOVER
CONTENT / LOAD BALANCING
PACKET SECURITY
PACKET DELIVERY / ROUTING

- ✓ Network understands Messages
- ✓ Transparent to Applications
- ✓ Extends existing network

- ✓ Improves visibility, security, performance
- ✓ Lower TCO, better business decisions
- ✓ Holistic use of infrastructure



# AON Software Architecture

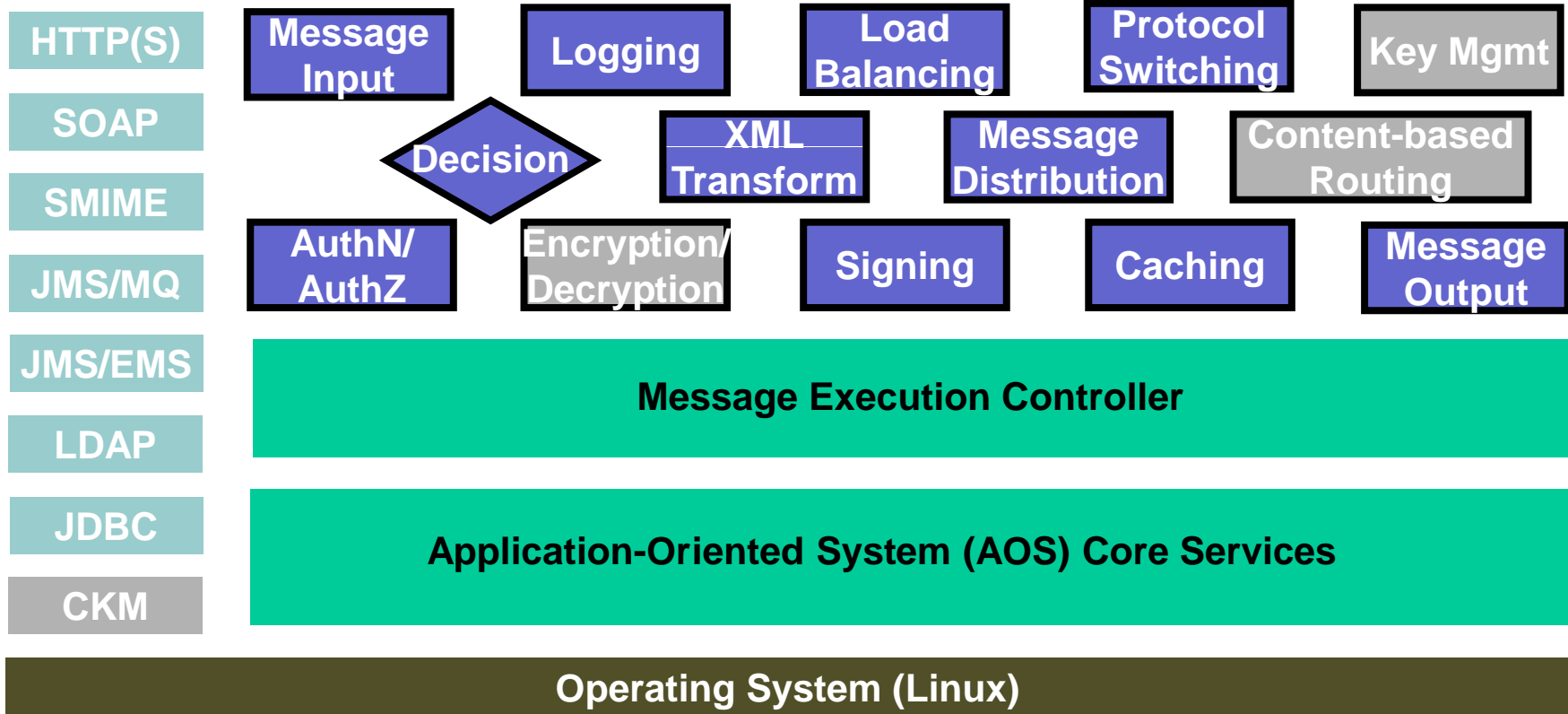
AON Design Studio

Tools

AON Management Console

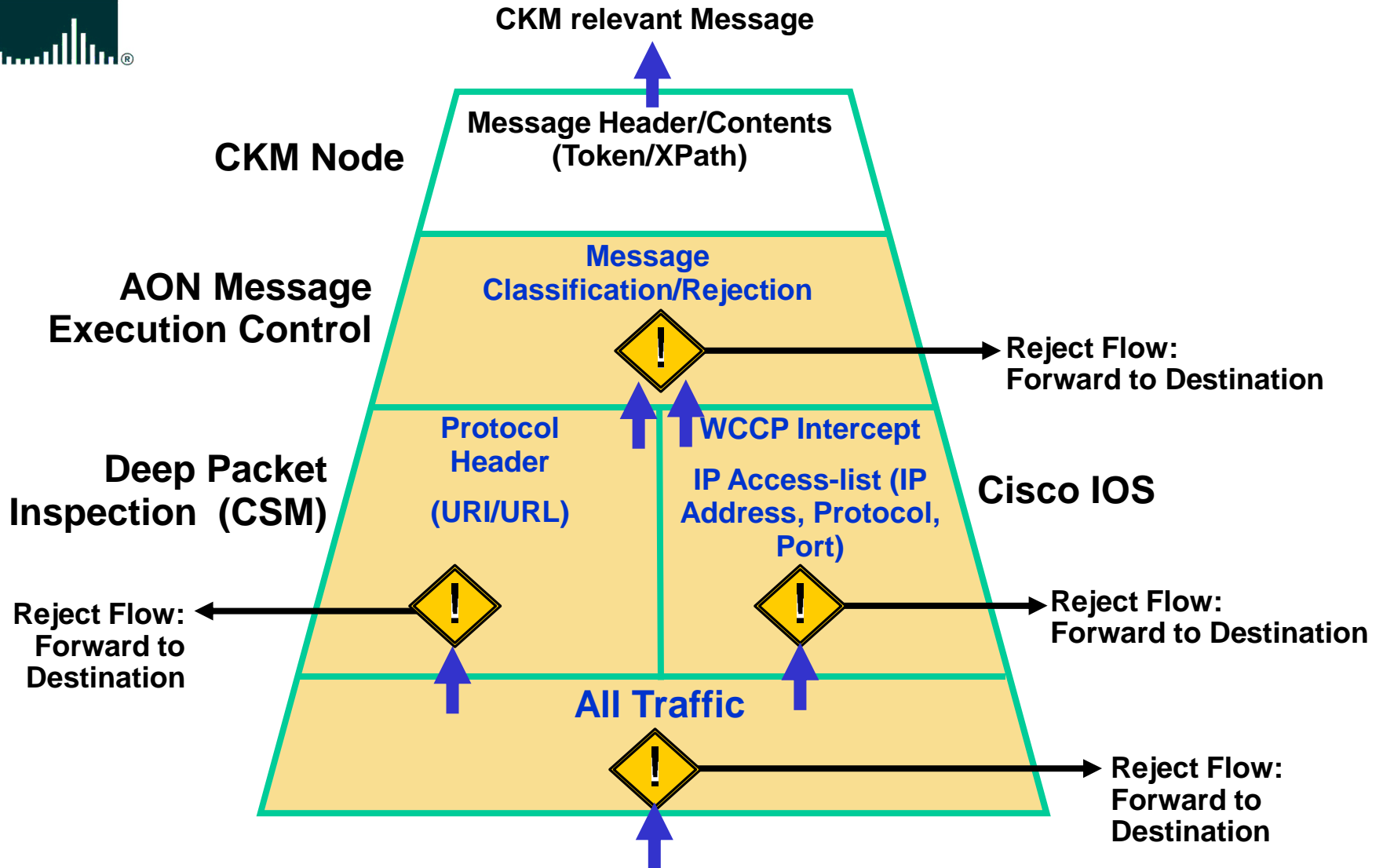
Access Method &  
Callout Adapters:

Functional Elements (“bladelets”):



# Transparent Interception

## Redirection, Pre-Classification and Early Rejection



# AON Solution Overview

Ensuring your success in migrating to SOA

**End-to-end visibility and control across your SOA**  
*From business process down to infrastructure*

## Visibility

- Discover the “big picture” across your SOA with Security
- Map IT’s impact on business
- Measure SOA health using business metrics
  - Quickly identify, pinpoint and resolve issues at any layer
- Discover “rogue” services
  - Bring them under governance automatically

## Control

- Ensure security, reliability, and scalability of your SOA
- Maximize reusability and interoperability of services
- Optimize your SOA for business value *in real-time*
  - Automatically respond to changing business conditions
- Manage compliance centrally
  - Define policies once and apply them globally and immediately